



Item#:	_____
Quantity:	_____
Model #:	SC-750
Project #:	_____

30-Ounce Stainless Steel Container



Model #: SC-750

Standard Features:

- 30-ounce stainless steel container
- Deep drawn, one piece construction
- Straight wall design reduces jamming of product which happens with tapered containers
- 30 oz. capacity
- Dispense a wide range of products including:
 - Stir sticks
 - Straws
 - Sweetener packs
 - Condiment packs
 - Utilize the pump or hinged cover to pump and dispense bulk condiments
 - And so much more...
- Wide stable base
- Designed to fit a 4" cutout
- 18-gauge, 304 stainless steel
- 4 5/8" round x 5 1/8" high (overall, including lip)
- NSF approved
- Made in the U.S.A.



Product Specification:

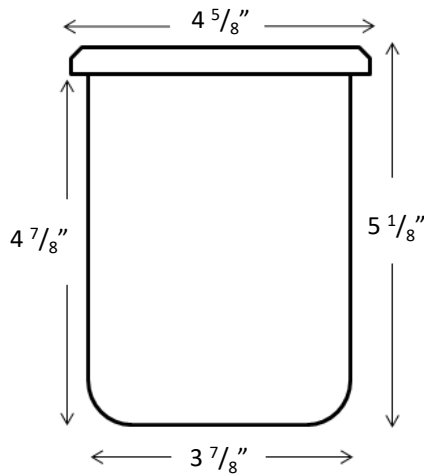
Steril-Sil model #SC-750 30-Ounce Container. Unit is made from 18-gauge, 304 series stainless steel with an electro-polish finish, NOT a brushed finish. Units are deep-drawn with straight walls having a 3.75" wide-footed base for stability. Unit formed with a 0.1875" high turned-down lip. The unit fits a 4" round cutout. NSF approved. Made in the U.S.A.

Notes:

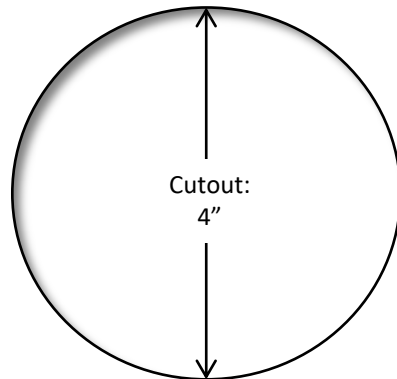
Steril-Sil Company, LLC
 Phone: 800-784-5537
 Email: quotes@sterilsil.com
 www.sterilsil.com



30-Ounce Stainless Steel Container (cont'd)



Model #: SC-750



Model #: SC-750 Cutout
(Not to scale)

30-Ounce Stainless Steel Container

Dispense a wide range of items using any of our round cutout dispensers

Model #	Description	Cutout	Gauge	Capacity
SC-750	Stainless steel 30-ounce container. Deep-drawn, one-piece construction from 18-gauge 304 stainless steel with an electropolish finish.	4 1/32"	18-gauge	30-ounce

Related Products:



LTC-3
Countertop dispenser



HC-20-X
Hinged cover for Steril-Sil 30-ounce containers



PC-700
Plastic 30-ounce containers



DC-61
Domed cover with 1-oz pump for 30-oz containers